

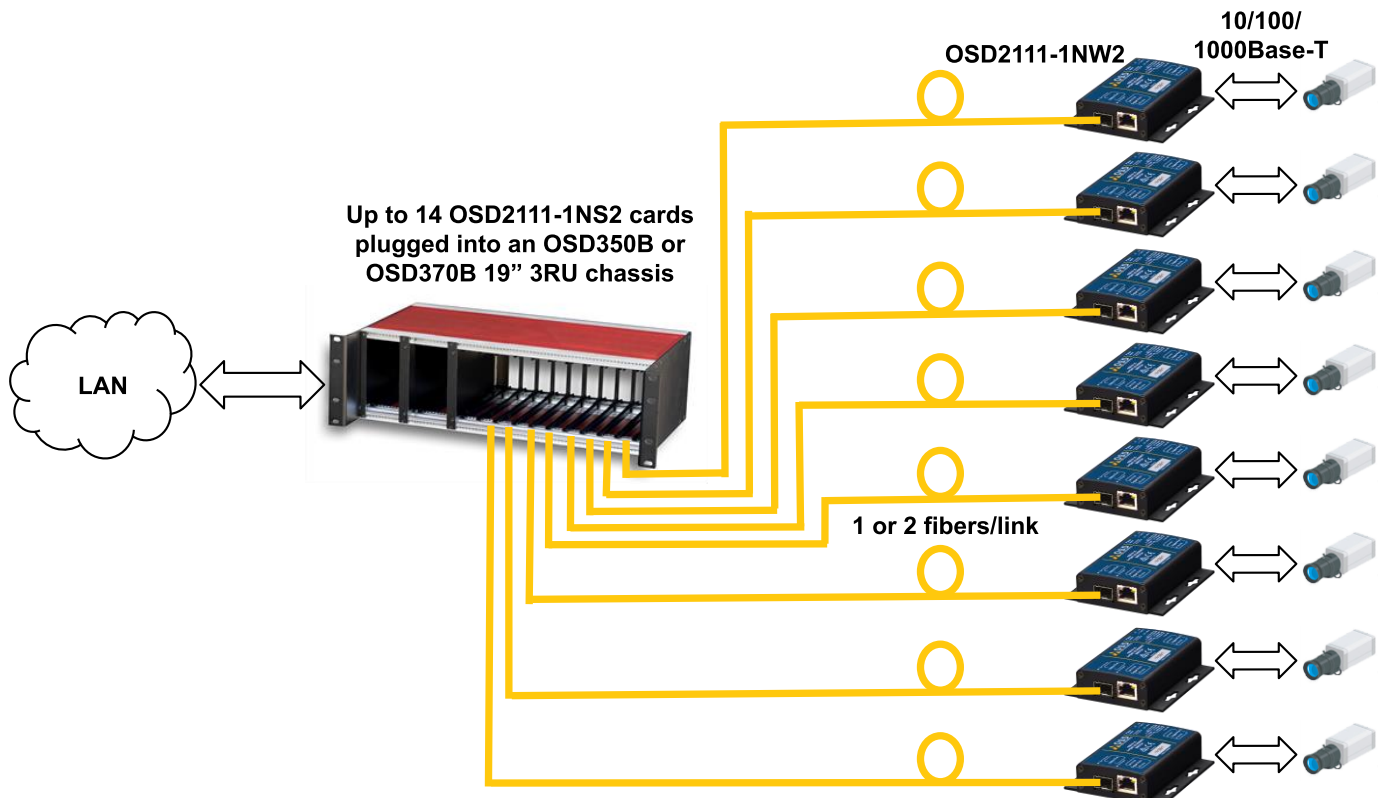
The OSD2111-1NS2 is an Industrial Ethernet media converter providing one RJ45 port and one SFP port for the optical fiber link. The card is designed for use in an OSD350B or OSD370B 3RU 19" rack mount chassis allowing for efficient mounting of up to 14 cards. A wide operating temperature range of -40 to +75°C make this product ideally suited for use in a wide range of harsh industrial environments.



Features and Benefits

- ▲ Complies with IEEE802.3i/802.3u/802.3ab 10/100/1000Base-T, IEEE802.3u 100Base-Fx, IEEE802.3z 1000Base-Lx/Sx standards
- ▲ Complies with the IEEE802.3az Energy-Efficient Ethernet standard
- ▲ One fixed 10/100/1000Base-T copper port
- ▲ SFP port can be fitted with industrial standard SFPs to match optical fiber type, dual or single core option and a range of link budgets
- ▲ Optical SFP port can be configured to run at either 100Base-Fx or 1000Base-X
- ▲ Auto MDI/MDIX on copper ports (support both straight through and crossover cables)
- ▲ Operates over the temperature range of -40 to +75°C
- ▲ Supports Link Loss Forwarding in case of port failure
- ▲ Supports 10KB jumbo frames

Typical System Design



Specifications

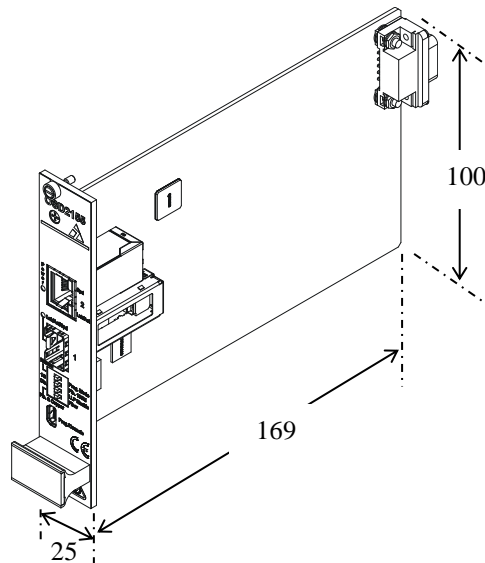
Hardware

Ethernet	10/100/1000Base-T RJ45, IEEE802.3i/802.3u/802.3ab
Jumbo Frame Support	10KB
SFP Port	SFP port (100Mbps or 1000Mbps user selectable)
Optical Data Interface	IEEE802.3u 100Base-Fx, IEEE802.3z 1000Base-Lx/Sx (Lx for SMOF, Sx for MMOF)
Installation	For use in OSD350B or OSD370B chassis
DIP Switch (3 Way)	<ol style="list-style-type: none"> Optical Port Speed Enable/Disable LLF Port fault detection mode
Power Requirements	+8 to +35VDC (12VDC provided by chassis backplane (250mA @ 12VDC)
Indicators	1 x Copper Link and Speed on RJ45 1 x Port Enabled on RJ45 1 x Power On/Off 1 x Speed for SFP 1 x Link/Act for SFP 1 x LLF Status
Environmental	-40 to +75°C
Relative Humidity	0 to 95% non-condensing
Dimensions	25W x 169D x 100H (mm)
Weight	220g

Warranty

Warranty Period	5 years
MTBF (Ground Benign Environment, 30°C)	561,000 hours

Dimensions



Ordering Information & Related Products

Part No.	Description
OSD2111-1NS2	Mini 10/100/1000Base-T to SFP 100Base-Fx/1000Base-X Media Converter card
SFP	See OSD SFP datasheets #102100XX, #1021000X
OSD2111-1NW2	Mini 10/100/1000Base-T to SFP 100Base-Fx/1000Base-X Media Converter module
OSD350B	12 Slot card chassis with dual redundant power slots, 3RU high, 19" rack mount unit
OSD370B	14 Slot card chassis with one power slot, 3RU high, 19" rack mount unit
OSD921	Industrial power supply for use in OSD350B & OSD370B chassis