

Introduction

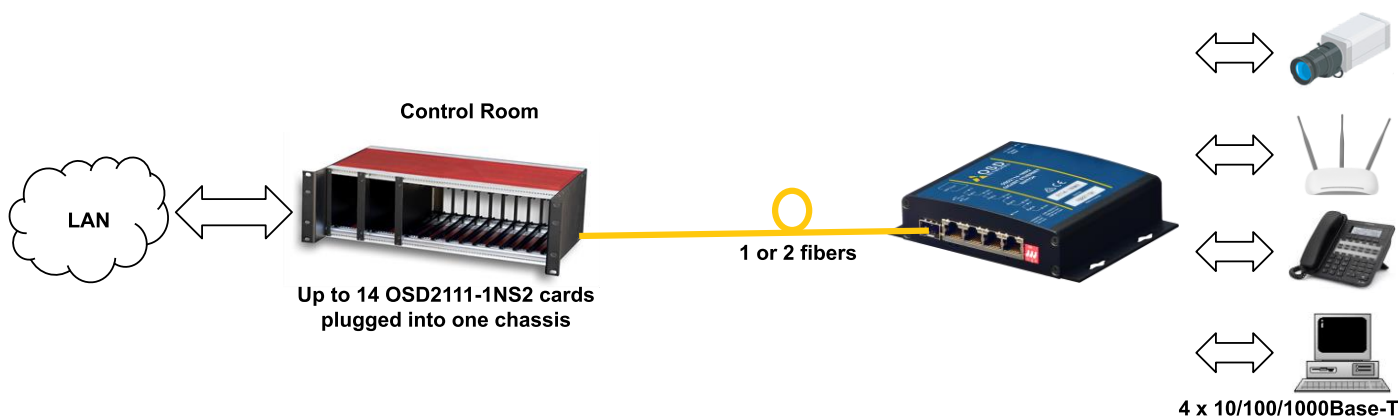
The OSD2114-1Nx2 is a 5-port industrial Ethernet switch providing four RJ45 ports and one SFP port. The OSD2114 is available as a standalone module or as a card for use in an OSD 19" rack mount chassis. OSD2114-1NW2 modules can be mounted using the wall mounting holes provided or mounted on a DIN rail using the OSD DRB01 bracket. A rugged fanless design and wide operating temperature range of -40 to +75°C make this product ideally suited for use in a wide range of harsh industrial environments where Industrial IP networks use a mix of copper and fiber.



Features and Benefits

- ▲ Complies with IEEE802.3i/802.3u/802.3ab 10/100/1000Base-T, IEEE802.3u 100Base-Fx, IEEE802.3z 1000Base-Lx/Sx standards
- ▲ Complies with the IEEE802.3az Energy-Efficient Ethernet standard
- ▲ Four fixed 10/100/1000Base-T copper port
- ▲ SFP port can be fitted with industrial standard SFPs to match optical fiber type, dual or single core option and a range of link budgets
- ▲ Optical SFP port can be configured to run at either 100Base-Fx or 1000Base-X
- ▲ Auto MDI/MDIX on copper ports (support both straight through and crossover cables)
- ▲ Operates over the temperature range of -40 to +75°C
- ▲ Supports 10KB jumbo frames

Typical System Design



Specifications

Hardware	
Ethernet	4 x 10/100/1000Base-T RJ45, IEEE802.3i/802.3u/802.3ab
Jumbo Frame Support	10KB
SFP Port	SFP port (100Mbps or 1000Mbps user selectable)
Optical Data Interface	IEEE802.3u 100Base-Fx, IEEE802.3z 1000Base-X (Lx for SMOF, Sx for MMOF)
Installation	Wall mount or desktop (DIN Rail with addition of DRB02 bracket) (Module) 19" rack mount chassis OSD350B or OSD370B chassis (3RU card)
DIP Switch (3 Way)	1. Optical Port Speed 2. not used 3. not used
Power Requirements	+8 to +35VDC (12VDC provided by OSD chassis backplane (250mA @ 12VDC)
Indicators	4 x Copper Link and Speed on RJ45 4 x Port Enabled on RJ45 1 x Speed for SFP 1 x Link/Act for SFP 1 x Power
Environmental	-40 to +75°C
Relative Humidity	0 to 95% non-condensing
Dimensions & Weight	113W x 105D x 32H (mm) 380g (Module) 25W x 208D x 100H (mm), 300g (3RU card)

Warranty

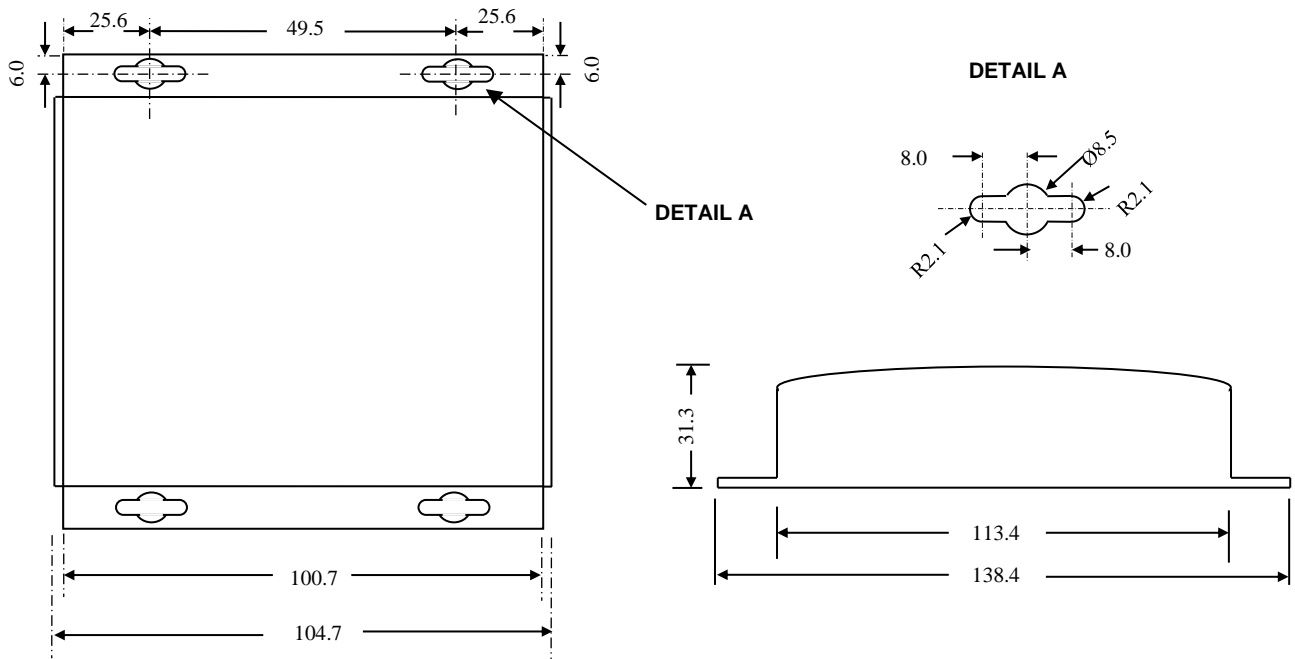
Warranty Period	5 years
MTBF (Ground Benign Environment, 30°C)	496,000 hours

Ordering Information & Related Products

Part No.	Description
OSD2114-1NS2	4 x 10/100/1000Base-T to SFP 100Base-Fx/1000Base-X Ethernet Switch CARD
OSD2114-1NW2	4 x 10/100/1000Base-T to SFP 100Base-Fx/1000Base-X Ethernet Switch MODULE
SFP	See OSD SFP datasheets #102100XX, #10210000X
OSD350B	12 Slot card chassis with dual redundant power slots, 3RU high, 19" rack mount unit
OSD370B	14 Slot card chassis with one power slot, 3RU high, 19" rack mount unit
OSD921	Industrial power supply for use in OSD350B & OSD370B chassis
DRB01	Din Rail Adapter Bracket

Dimensions

Module Version



Card Version

