

### Introduction

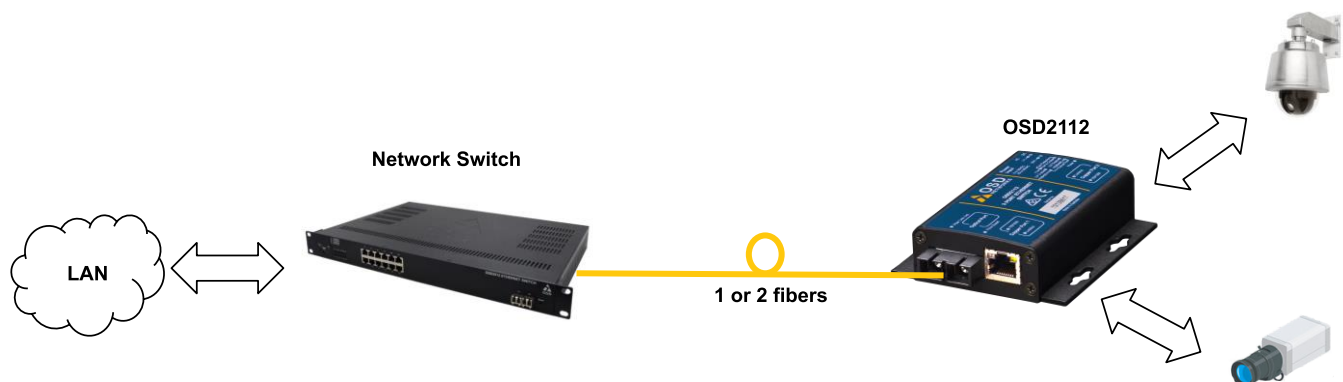
The OSD2112 is a 3-port industrial Ethernet switch providing two RJ45 ports and the option of the fiber port to be either a fixed optical connector port or a SFP port. With a compact design the OSD2112 can easily be mounted inside a network enclosure or a Smart Pole using the wall mounting holes provided or mounted on a DIN rail using the OSD DRB02 bracket. A rugged IP30 casing, fanless design and wide operating temperature range of -40 to +75°C make this product ideally suited for use in a wide range of harsh industrial environments.



### Features and Benefits

- ▲ Complies with IEEE802.3i/802.3u/802.3ab 10/100/1000Base-T, IEEE802.3u 100Base-Fx, IEEE802.3z 1000Base-Lx/Sx standards
- ▲ Complies with the IEEE802.3az Energy-Efficient Ethernet standard
- ▲ Has two fixed 10/100/1000Base-T copper ports
- ▲ Optical port can be either a fixed optical connector or one SFP port
- ▲ Optical port can be configured to run at either 100Base-Fx or 1000Base-X
- ▲ Auto MDI/MDIX on copper ports (support both straight through and crossover cables)
- ▲ Operates over the temperature range of -40 to +75°C
- ▲ Supports 10KB jumbo frames
- ▲ Powered by non-critical 12VDC supplies

### Typical System Design



## Specifications

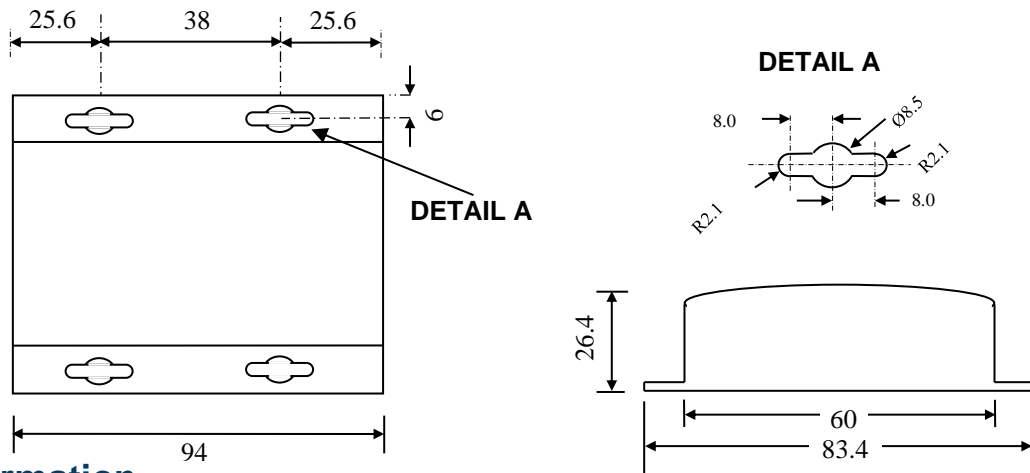
### Hardware

Ethernet	2 x 10/100/1000Base-T RJ45, IEEE802.3i/802.3u/802.3ab
Jumbo Frame Support	10KB
SFP Port	1 x SFP ports (100Mbps or 1000Mbps user selectable)
Fixed Optical Port	Duplex or Simplex fixed connector (SC/PC, ST/PC) Various Optical Link Budgets and Wavelengths available. Contact OSD for options
Optical Data Interface	IEEE802.3u 100Base-Fx, IEEE802.3z 1000Base-Lx/Sx (Lx for SMOF, Sx for MMOF)
Enclosure Protection Class	IP30
Installation	Wall mount or desktop (DIN Rail with addition of DRB02 bracket)
DIP Switch (3 Way)	1. Optical Port Speed 2. Not in use 3. Not in use
Power Requirements	Vin +8 to +35VDC or +22 to +28VAC (600mA @ 12VDC)
Power Connector	2 way 5.08mm terminal block
Indicators	2 x Copper Link and Speed on RJ45 2 x Port Enabled on RJ45 1 x Power On/Off 1 x Speed for SFP 1 x Link/Act for SFP
Environmental	-40 to +75°C
Relative Humidity	0 to 95% non-condensing
Dimensions	83.4W x 94D x 26.4H (mm)
Weight	300g

### Warranty

Warranty Period	5 years
MTBF (Ground Benign Environment, 30°C)	561,000 hours

## Dimensions



## Ordering Information

Part No.	Description
OSD2112-1NW2	Mini 2 x 10/100/1000Base-T to SFP 100Base-Fx/1000Base-X 3-Port Switch
SFP	See OSD SFP datasheets #102100XX, #10210000XX
OSD2112-QNW2.xx	Mini 2 x 10/100/1000Base-T to Duplex 1000Base-Lx 3-Port Switch (xx=SC or ST), SMOF
OSD2112-RNW2.xx	Mini 2 x 10/100/1000Base-T to Simplex BIDI 1000Base-Bx 3-Port Switch (xx=SC or ST)
OSD2112-SNW2.xx	Mini 2 x 10/100/1000Base-T to Duplex 1000Base-Sx 3-Port Switch (xx=SC or ST), MMOF
DRB02	DIN Rail mounting bracket for small OSD modules
OSD2112PP	240VAC to 12VDC plug pack for use with OSD2112 product family

Doc ID: 1022112-xNW201