

Introduction

OSD's 100Mbps Fast Ethernet SFPs can be used in the full range of OSD products where a 100Mbps network link is required. All OSD SFPs operate over the temperature range of -40 to +85°C which make this product ideally suited for use in a wide range of harsh industrial environments. A wide range of link budgets are available allowing for transmission distances from a few metres up to 200km over single mode fiber. All SFPs are compliant with the SFP Multi Source Agreement (MSA)



Features and Benefits

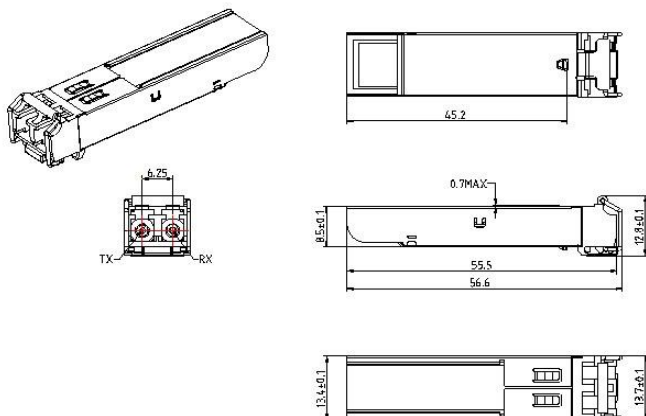
- ▲ Fiber SFP complies with IEEE802.3u 100Base-Fx standards
- ▲ Supports network traffic of 100Mbps
- ▲ Class 1 laser product
- ▲ Available for use over multimode or single mode fibers with a variety of link budgets
- ▲ Dual Fiber (LC) or Single Fiber (SC or LC) options can be selected
- ▲ Operates over the temperature range of -40 to +85°C

Specifications

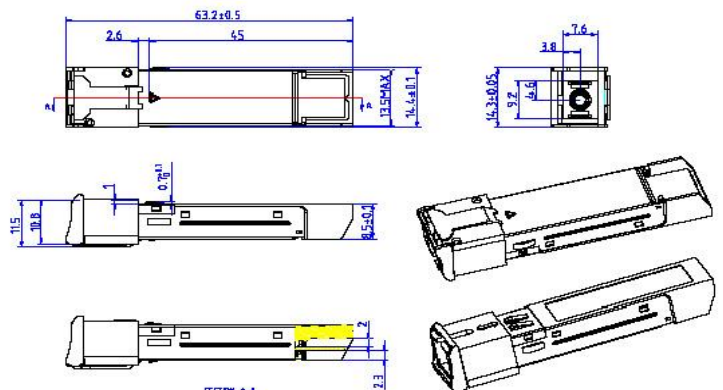
Fiber SFP	
Optical Data Interface	IEEE802.3u 100Base-Fx
Data Rate	100Mbps
Data Connector	Duplex LC or Simplex SC or Simplex LC
Environment	
Operating Temperature Range	-40 to +85°C
Relative Humidity	0 to 95% non-condensing
Warranty	
Warranty Period	5 years

Dimensions (mm)

OSDSFP100Fx/Sx Series



OSDSFP100Wfx Series



Ordering Information

Contact OSD for a full listing of available options

Duplex LC SFP	Tx Wavelength (nm)	Tx Coupled Power (dBm)	Rx Saturation (dBm)	Rx Sensitivity (dBm)	Link Budget (dB)
OSDSFP100Fx/10km	1310	-15 to -8	-3	<-31	>16
OSDSFP100Fx/20km	1310	-10 to -5	-3	<-31	>21
OSDSFP100Fx/30km	1310	-5 to 0	-3	<-31	>26
OSDSFP100Fx/60km	1310	-4 to 0	-3	<-34	>30
OSD100Fx/CW/47dB (200km)	1270 to 1610	+3 to +7	0	<-44	>-47
OSD100Sx (multimode fiber)	850	-10 to -3	-3	<-23	>13
OSDSFP100FxLFP (multimode fiber)	1310	-20 to -10	-3	<-31	>11
OSDSFP100FxULP (multimode fiber)	1310	-20 to -15	-3	<-31	>11

Simplex SC SFP (Simplex LC available on request)	Tx Wavelength (nm)	Tx Coupled Power (dBm)	Rx Saturation (dBm)	Rx Sensitivity (dBm)	Link Budget (dB)
OSDSFP100WFxA/20km	1310	-14 to -8	-3	<-33	>19
OSDSFP100WFxB/20km	1550	-14 to -8	-3	<-33	>19
OSDSFP100WFxA.ULP (multimode fiber)	1310	-20 to -15	-3	<-33	>13
OSDSFP100WFxB.ULP (multimode fiber)	1550	-20 to -15	-3	<-33	>13