

### Introduction

OSD's Gigabit SFPs can be used in the full range of OSD products where a Gigabit fiber link is required. All OSD SFPs operate over the temperature range of -40 to +85°C which make this product ideally suited for use in a wide range of harsh industrial environments. A wide range of link budgets are available allowing for transmission distances from a few metres up to 160km over single mode fiber. All SFPs are compliant with the SFP Multisource Agreement (MSA)



### Features and Benefits

- ▲ Fiber SFP complies with IEEE802.3z 1000Base-X standards
- ▲ 10/100/1000Mbps Copper SFP complies with IEEE802.3ab, IEEE802.3u, IEEE802.3i Base-T Ethernet standard
- ▲ Supports network traffic of 1000Mbps
- ▲ Class 1 laser product
- ▲ Available for use over multimode or single mode fibers with a variety of link budgets
- ▲ Dual Fiber (LC) or Single Fiber (SC) options can be selected
- ▲ Operates over the temperature range of -40 to +85°C
- ▲ Compliant with Digital Diagnostic Monitor Interface SFF-8472

### Specifications

#### Copper SFP10/100/1000T

Data Interface	IEEE802.3ab, IEEE802.3u, IEEE802.3i Base-T Ethernet
Data Rate	10/100/1000Mbps
Data Connector	1 x RJ45

#### Fiber SFP

Optical Data Interface	IEEE802.3z 1000Base-X
Data Rate	1000Mbps
Data Connector	Duplex LC or Simplex SC

#### Environment

Operating Temperature Range	-40 to +85°C
Relative Humidity	0 to 95% non-condensing

#### Warranty

Warranty Period	5 years
-----------------	---------

## Ordering Information

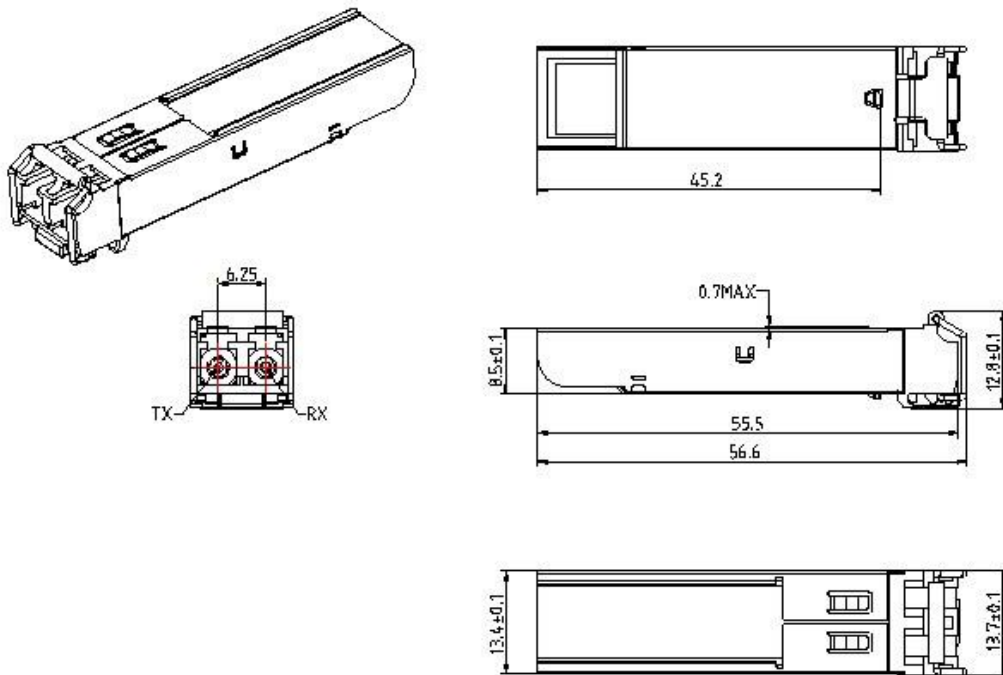
Contact OSD for a full listing of available options

Duplex LC SFP	Tx Wavelength (nm)	Tx Coupled Power (dBm)	Rx Saturation (dBm)	Rx Sensitivity (dBm)	Link Budget (dB)
OSDSFP1000Sx	850	-10 to -3	-3	<-17	>7
OSDSFP1000Lx/10km	1310	-9 to -3	-3	<-23	>14
OSDSFP1000Lx/20km	1310	-7 to -3	-3	<-23	>16
OSDSFP1000Lx/30km	1310	-2 to -3	-3	<-23	>21
OSDSFP1000Lx/70km	1550	0 to +5	-3	<-24	>24
OSDSFP1000Lx/120km	1550	0 to +5	-3	<-32	>32

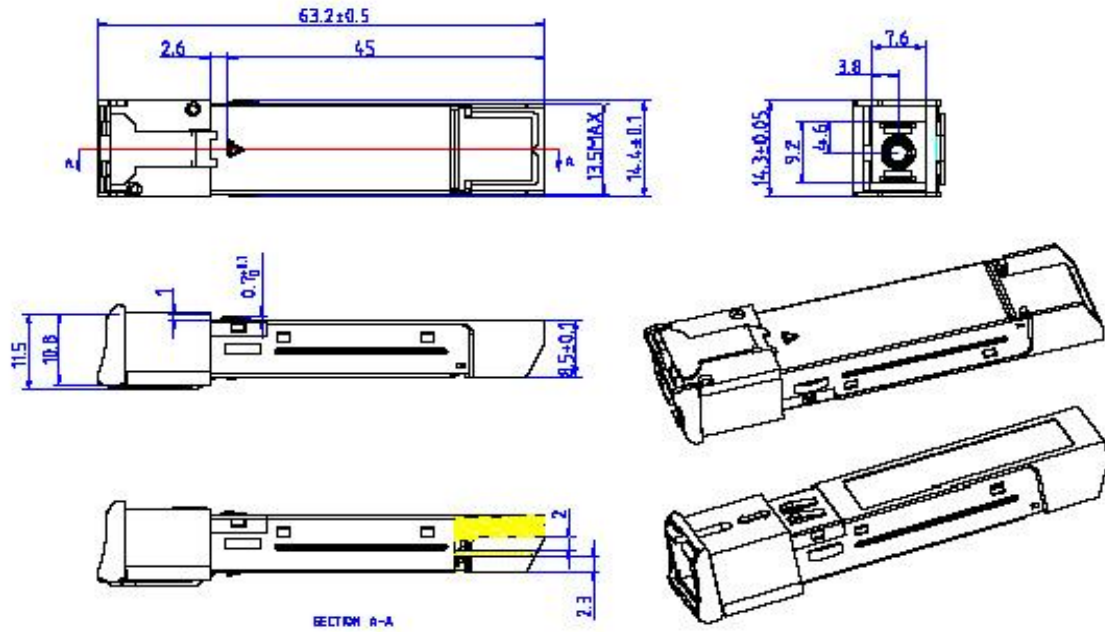
Simplex SC SFP	Tx Wavelength (nm)	Tx Coupled Power (dBm)	Rx Saturation (dBm)	Rx Sensitivity (dBm)	Link Budget (dB)
OSDSFP1000WLxA/10km	1310	-8 to -3	-3	<-22	>14
OSDSFP1000WLxB/10km	1550	-8 to -3	-3	<-22	>14
OSDSFP1000WLxC/10km	1310	-9 to -3	-3	<-22	>13
OSDSFP1000WLxD/10km	1490	-9 to -3	-3	<-22	>13
OSDSFP1000WLxA/40km	1310	-3 to +2	-3	<-22	>19
OSDSFP1000WLxB/40km	1550	-3 to +2	-3	<-22	>19
OSDSFP1000WLxA/36dB	1510	+3 to +6	-9	<-33	>36
OSDSFP1000WLxA/36dB	1570	+3 to +6	-9	<-33	>36
OSDSFP1000Lx/CW/19dB	1270 to 1610	-5 to 0	-3	<-24	>19
OSDSFP1000Lx/CW/70km	1270 to 1610	0 to +5	-3	<-24	>24
OSDSFP1000Lx/CW/160km	1270 to 1610	+2 to +7	-10	<-36	>38

## Dimensions (mm)

OSDSFP1000Lx/Sx Series



## OSDSFP1000WLx / CW Series



## OSDSFP10/100/1000BaseT

