



**APPLICATIONS**

- ▲ 10 Gigabit Ethernet backbone networks
- ▲ Fast Ethernet networks
- ▲ Self-healing 10 Gigabit Ethernet backbone networks
- ▲ Other optical links via a third party's SFP port

**FEATURES AND BENEFITS**

- ▲ Complies with IEEE 802.3ae 10GBase-SR/LR/ER/ZR standards.
- ▲ Supports network traffic of 10 Gbps.
- ▲ Can be used with either singlemode or multimode fiber over a variety of link budgets
- ▲ Available for operation over 1 or 2 fibers.
- ▲ Available in short, medium or long link distance models
- ▲ Hot-pluggable for easier system maintenance operation
- ▲ Operates over the temperature range of 0 to +70°C

**ORDERING INFORMATION**

Contact OSD for a full listing of available options

OSDSFP+10GLR/10km	2-fiber, 10km (singlemode fiber), 1310nm SFP+ Plug-in transceiver module
OSDSFP+10GER/40km	2-fiber, 40km (singlemode fiber), 1550nm SFP+ Plug-in transceiver module
OSDSFP+10GZR/80km	2-fiber, 80km (singlemode fiber), 1550nm SFP+ Plug-in transceiver module
OSDSFP+10GZR/100km	2-fiber, 100km (singlemode fiber), 1550nm SFP+ Plug-in transceiver module
OSDSFP+10GLxWA/20km	1-fiber, 20km (singlemode fiber), Tx @ 1270nm, Rx @ 1330nm. SFP+ Plug-in transceiver module
OSDSFP+10GLxWb/20km	1-fiber, 20km (singlemode fiber), Tx @ 1330nm, Rx @ 1270nm. SFP+ Plug-in transceiver module
OSDSFP+10G/CW/XX/10km	2-fiber, 10km (singlemode fiber), CWDM SFP+ Plug-in transceiver module Where XX is Tx @ any wavelength between 1470nm to 1610nm, e.g. 1470nm=47
OSDSFP+10G/CW//XX40km	2-fiber, 40km (singlemode fiber), CWDM SFP+ Plug-in transceiver module Where XX is Tx @ any wavelength between 1470nm to 1610nm, e.g. 1470nm=47
OSDSFP+10GSR	2-fiber, (multimode fiber), 850nm SFP+ Plug-in transceiver module
OSDSFP+10G/DW/XX/40km	2-fiber singlemode 10G DWDM SFP+ for up to 40km where XX refers to the ITU channel i.e 22 = 192.2THz or 1559.79nm



# SPECIFICATIONS

---

## OPTICAL

Transmitter wavelength	850nm, 1310nm or 1550nm (depends on specific models)
Transmitter coupled power	-6 to -1dBm (OSDSFP+10GLR/10km, @1310nm) -4.7 to +4dBm (OSDSFP+10G ER/40km, @1550nm) 0 to +4dBm (OSDSFP+10GZR/80km, @1550nm) +1 to +5dBm (OSDSFP+10GZR/100km, @1550nm) -6 to 3dBm (OSDSFP+10GLxWA/20km, @1270nm) -6 to 3dBm (OSDSFP+10GLxWb/20km, @1330nm) -6.5 to -1dBm (OSDSFP+10GSR, @ 850nm) -5 to +0dBm (OSDSFP+10G/CW/10km, @1550nm) -1 to +4dBm (OSDSFP+10G/CW/40km, @1550nm) -1 to +4dBm (OSDSFP10G/DW/XX/40km)
Receiver sensitivity	< -15dBm (OSDSFP+10GLR/10km, @1310nm) < -15.8dBm (OSDSFP+10GER/40km, @1550nm) < -24dBm (OSDSFP+10GZR/80km, @1550nm) < -25dBm (OSDSFP+10GZR/100km, @1550nm) < -15dBm (OSDSFP+10GLxWA/20km, @1330nm) < -15dBm (OSDSFP+10GLxWB/20km, @1270nm) < -11dBm (OSDSFP+10GSR, @ 850nm) < -15dBm (OSDSFP+10G/CW/10km, @1550nm) < -15dBm (OSDSFP+10G/CW/40km, @1550nm) < -15dBm (OSDSFP10G/DW/XX/40km)
Link budget	> 9dB @ 1310nm (OSDSFP+10GLR/10km) > 11dB @ 1550nm (OSDSFP+10GER/40km) > 24dB @ 1550nm (OSDSFP10GZR/80km) > 26dB @ 1550nm (OSDSFP10GZR/100km) > 9dB @ 1270/1330nm (OSDSFP+10GLxW*/20km) > 4.6dB @ 850nm (OSDSFP+10GSR) > 10dB @ 1550nm (OSDSFP+10G/CW/10km) > 14dB @ 1550nm (OSDSFP+10G/CW/40km) > 14dB (OSDSFP10G/DW/XX/40km)
Optical connector	LC (OSDSFP+10G series), SC (OSDSFP+10GLxW series)

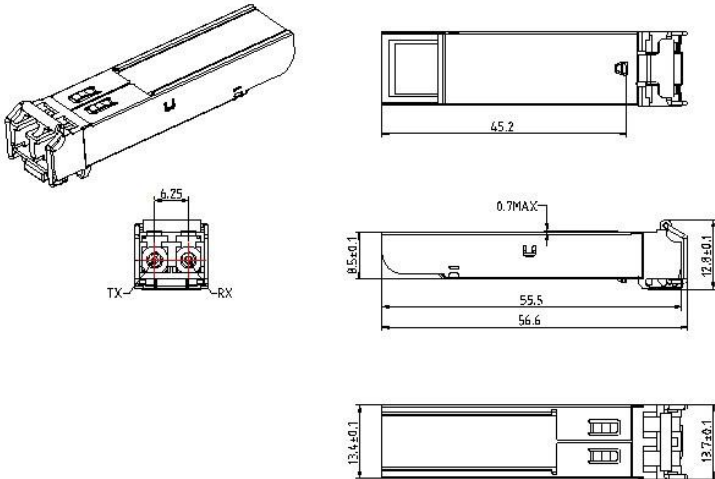


**PHYSICAL**

Operating Temperature Range                    0°C to +70°C  
Relative Humidity                                    0 to 95% non-condensing

Dimensions of Module (mm)

OSDSFP+10GLx Series



Doc.Id: 10210G004

