



### APPLICATIONS

- ▲ Fast Ethernet networks
- ▲ Other optical links via a third party's SFP port

### FEATURES AND BENEFITS

- ▲ Complies with IEEE802.3u 100Base-Fx standards.
- ▲ Supports network traffic of 100Mbps.
- ▲ Can be used with either singlemode or multimode fiber over a variety of link budgets
- ▲ Available for operation over 1 or 2 fibers.
- ▲ Short and long link distance models available.
- ▲ Hot-pluggable for easier system maintenance operation
- ▲ Operates over the temperature range of -40 to +85°C

### ORDERING INFORMATION

Contact OSD for a full listing of available options

OSDSFP100Fx/10km	2-fiber, 10km (singlemode fiber), 100BaseFx SFP Plug-in transceiver module
OSDSFP100Fx/20km	2-fiber, 20km (singlemode fiber), 100BaseFx SFP Plug-in transceiver module
OSDSFP100Fx/30km	2-fiber, 30km (singlemode fiber), 100BaseFx SFP Plug-in transceiver module
OSDSFP100Fx/60km	2-fiber, 60km (singlemode fiber), 100BaseFx SFP Plug-in transceiver module
OSDSFP100WFxA/20km	1-fiber, 20km (singlemode fiber), 100BaseFx SFP Plug-in transceiver module Tx @ 1310nm, Rx @ 1550nm
OSDSFP100WFxB/20km	1-fiber, 20km (singlemode fiber), 100BaseFx SFP Plug-in transceiver module Tx @ 1550nm, Rx @ 1310nm
OSDSFP100FxLP	2-fiber low power multimode 100BaseFx SFP Plug-in transceiver module
OSDSFP100FxULP	2-fiber very low power multimode 100BaseFx SFP Plug-in transceiver module



# SPECIFICATIONS

## OPTICAL

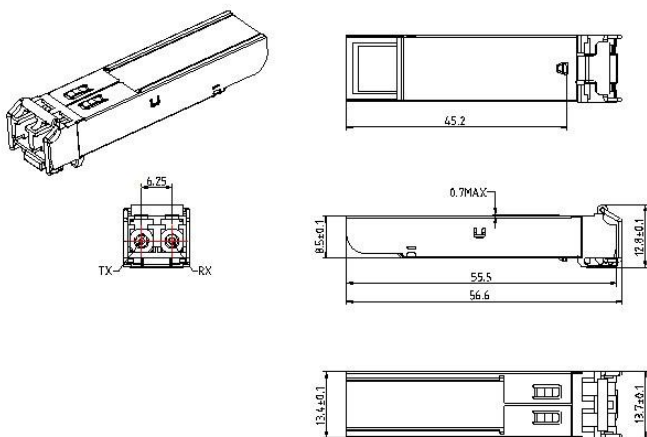
Transmitter wavelength	1310nm or 1550nm (depends on specific models)
Transmitter coupled power into single mode fiber	-8 to -15dBm (OSDSFP100Fx/10km, @ 1310nm) +0 to -5dBm (OSDSFP100Fx/30km, @ 1310nm) +0 to -4dBm (OSDSFP100Fx/60km, @ 1310nm) -8 to -14dBm (OSDSFP100WFxA/20km, @ 1310nm) -8 to -14dBm (OSDSFP100WFxB/20km, @ 1550nm)
Transmitter coupled power into multimode fiber	-10 to -20dBm (OSDSFP100FxLP, @ 1310nm) -15 to -20dBm (OSDSFP100FxULP, @ 1310nm)
Receiver sensitivity (Singlemode or multimode fiber)	< -31dBm (OSDSFP100Fx/10km, @ 1310nm) < -31dBm (OSDSFP100Fx/30km, @ 1310nm) < -34dBm (OSDSFP100Fx/60km, @ 1310nm) < -33dBm (OSDSFP100WFxA/20km, @ 1550nm) < -33dBm (OSDSFP100WFxB/20km, @ 1310nm) < -31dBm (OSDSFP100FxLP, @ 1310nm) < -31dBm (OSDSFP100FxULP, @ 1310nm)
Link budget	> 16dB @ 1310nm (OSDSFP100Fx/10km) > 26dB @ 1310nm (OSDSFP100Fx/30km) > 30dB @ 1310nm (OSDSFP100Fx/60km) > 19dB @ 1310nm (OSDSFP100WFxA/20km, OSDSFP100WFxB/20km) > 11dB @ 1310nm (OSDSFP100FxLP) > 11dB @ 1310nm (OSDSFP100FxULP)
Optical connector	LC (OSDSFP100Fx series) SC (OSDSFP100WFx series)

## PHYSICAL

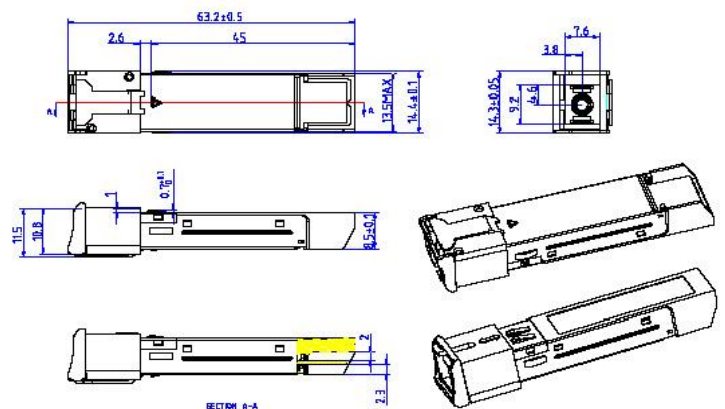
Operating Temperature Range	-40°C to +85°C
Relative Humidity	0 to 95% non-condensing

### Dimensions of Module (mm)

OSDSFP100Fx Series



OSDSFP100WFx Series



Doc.Id: 10210006