

Introduction

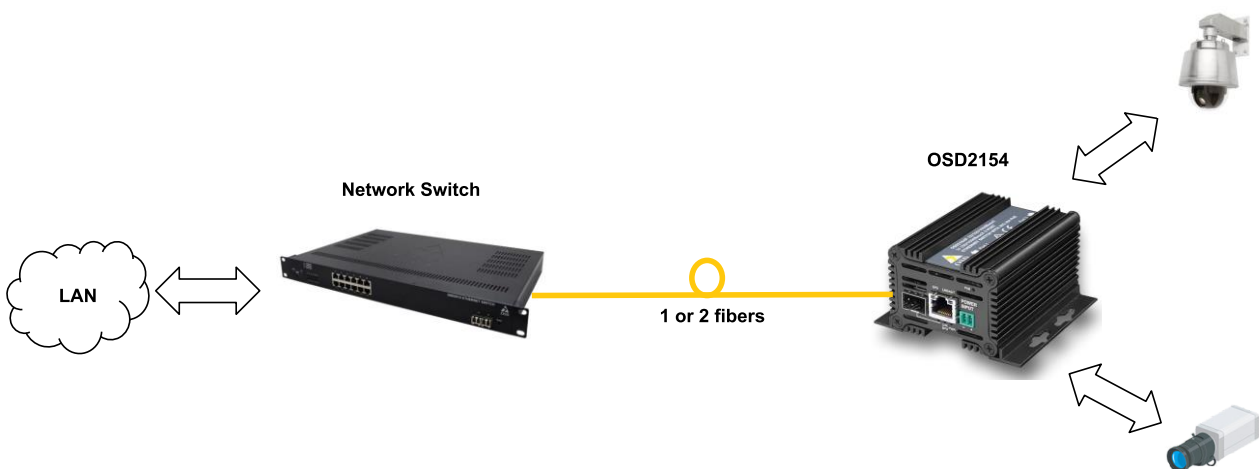
The OSD2154 is a 3-port industrial ethernet switch providing two RJ45 ports and one SFP port. Lite Management functions are available along with an included GUI or the unit can be configured as an unmanaged Media Converter. With a compact design the OSD2154 can easily be mounted inside a network enclosure or a Smart Pole using the DIN rail or wall mounting brackets provided. A rugged IP30 casing, fan-less design and wide operating temperature range from -40 to +75°C make this product ideally suited for use in a wide range of harsh industrial environments.



Features and Benefits

- ▲ Complies with IEEE802.3i/802.3u/802.3ab 10/100/1000Base-T, IEEE802.3u 100Base-Fx, IEEE802.3z 1000Base-Lx/Sx standards
- ▲ Has two fixed 10/100/1000Base-T copper ports and one 100Mbps/1000Mbps SFP port
- ▲ Auto MDI/MDIX on copper ports (support both straight through and crossover cables)
- ▲ Can be used with either singlemode or multimode fiber over a variety of link budgets
- ▲ Web browser based Graphical User Interface (GUI)
- ▲ Powered by 10-36VDC supplies
- ▲ Operates over the temperature range of -40 to +75°C
- ▲ Supports 10KB jumbo frames
- ▲ Available for operation over 1 or 2 fibers
- ▲ SFP module sold separately
- ▲ DIN rail or surface mounting

Typical System Design



Specifications

Hardware

Ethernet	2 x 10/100/1000Base-T RJ45, IEEE802.3i/802.3u/802.3ab
Jumbo Frame Support	10KB
SFP	1 x Gigabit SFP ports (100Mbps or 1000Mbps user selectable)
Optical Data Interface	IEEE802.3z 1000Base-Lx/Sx, IEEE802.3u 100Base-Fx
Enclosure Protection Class	IP30
Installation	DIN rail, wall mount or desktop
DIP Switch (3 Way)	<ol style="list-style-type: none"> 1. Software Program 2. 100 or 1000Mbps on the fiber port 3. not used
Power Requirements	Input Voltage: 10 to 36VDC
Power Connector	2 way 3.5mm terminal block
Indicators	2 x Copper Link/Activity on RJ45 2 x Copper Speed on RJ45 1 x Power On/Off 1 x SFP Link/Speed on SFP
Environmental	-40 to +75°C
Relative Humidity	0 to 95% non-condensing
Dimensions	90W x 88D x 49H mm
Weight	400g

Management

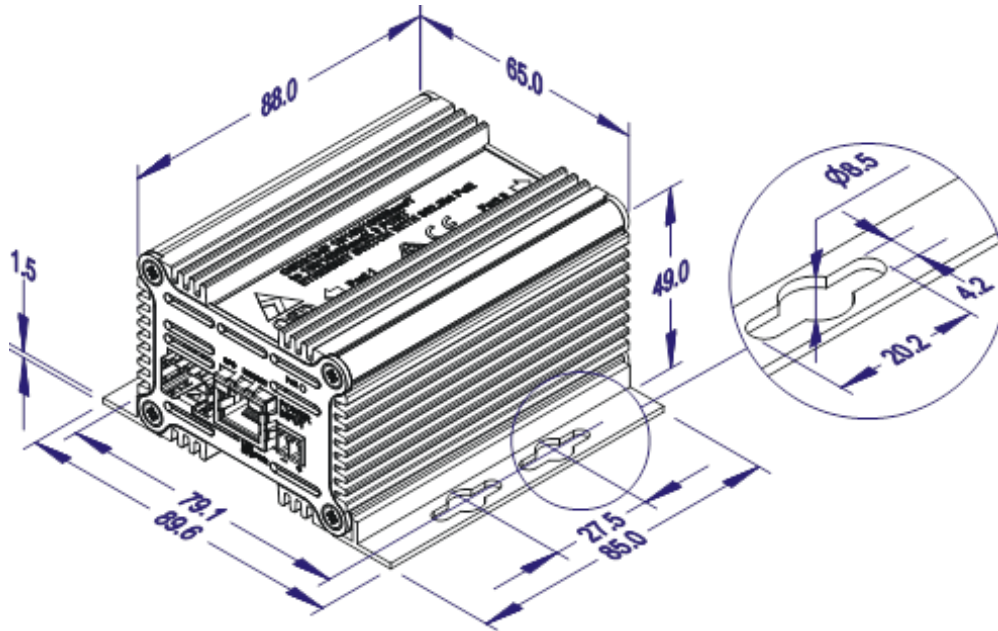
Interfaces	Command Line Interface (CLI mini USB) Web browser based Graphical User Interface (GUI)
Port Configuration	Auto negotiation
Port Status	Speed, duplex mode, link status, auto negotiation status

Warranty

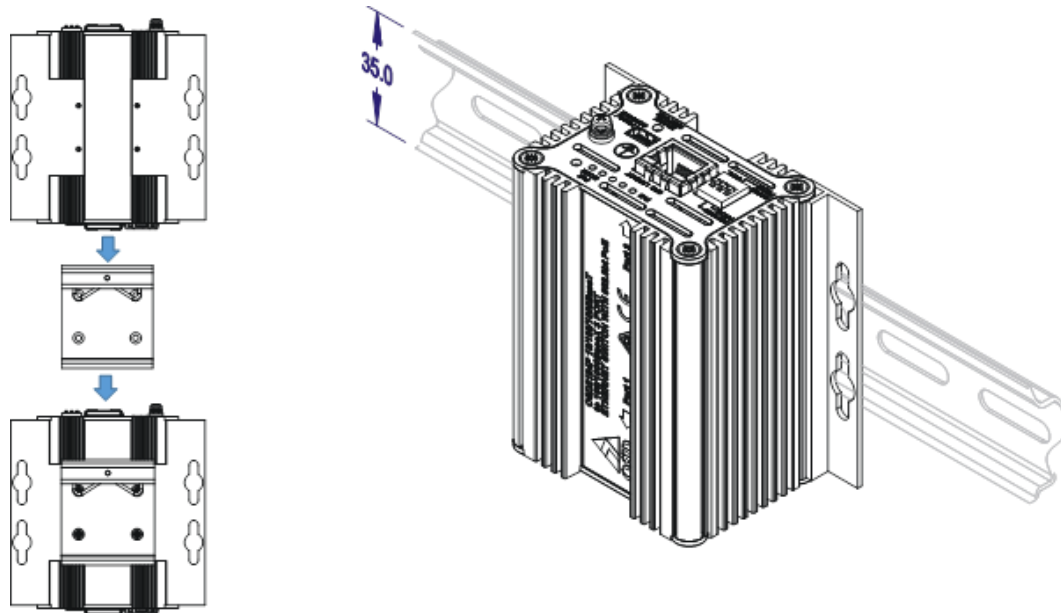
Warranty Period	5 years
MTBF (Ground Benign Environment, 30°C)	528,000 hours

Dimensions

Surface Mounted



Din Rail Mounted



Ordering Information

Part No.	Description
OSD2154	Micro 3-Port Switch with 2 x RJ45 and 1 x Gb SFP
OSD2154P	Micro 3-Port Switch with 2 x RJ45 with PoE IEEE802.3af/at and 1 x Gb SFP (see datasheet 1022154P**)
SFP	See OSD SFP datasheets #102100XX, #10210000X