

**OSD2920 10/100/1000Base-T PoE++/non-PoE  
ETHERNET EXTENDER with JUMBO FRAME SUPPORT**

**APPLICATIONS**

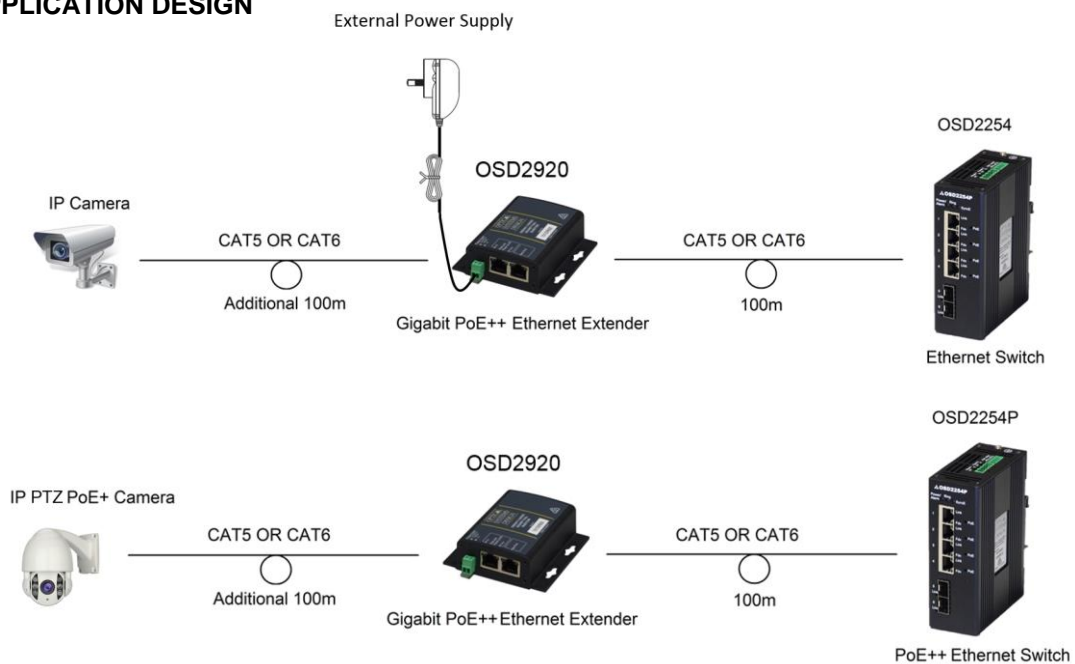
- ▲ Any network exceeding the 100 meter limitations of Ethernet
- ▲ Industrial and commercial IP communications
- ▲ Secure, noise immune extensions of networks using Power over Ethernet such as intercoms, access control, telephones, picocells etc



**FEATURES AND BENEFITS**

- ▲ Complies with IEEE 802.3i/802.3u/802.3ab 10/100/1000Base-T standards
- ▲ Supports network traffic of 100Mbps or 1000Mbps
- ▲ Supports 10KB jumbo frames
- ▲ Complies with the IEEE 802.3af and IEEE802.3at standards and also supports PoE++ (60W)
- ▲ Extends the range of PoE and GbE to 200 meters but with daisy chaining this can be as much as 500 meters
- ▲ Either port can face the PSE device with the other facing the PD device
- ▲ Can operate with or without PoE transmission over Cat 5 or Cat 6 cable. If there is no PoE it can be operated from an external power source of 10 to 56VDC
- ▲ No external powering required when PoE is available: consumes less than 2W of PoE power
- ▲ Extremely small and robust module
- ▲ Operates over the temperature range of -20 to +75°C

**TYPICAL APPLICATION DESIGN**



**ORDERING INFORMATION**

OSD2920      10/100/1000BaseT PoE++/Non-PoE Ethernet Extender



# SPECIFICATIONS

---

## ELECTRICAL

Electrical Data Interface	IEEE 802.3i/802.3u/802.3ab, 10/100/1000Base-T Ethernet
Electrical Data Rate	10, 100, 1000Mbps with energy detect, auto negotiate, auto MDIX
Jumbo Frame Support	10KB
Electrical Data Connector	RJ45
PoE	IEEE802.3af, IEEE802.3at and PoE++
Operating Mode	Alternative A & B (Pins 1/2, 3/6, 4/5, and 7/8)
Switch Type	Store and forward

## PHYSICAL

Operating Temperature Range	-20 to +75°C
Relative Humidity	0 to 95% non-condensing
Powering	Either drawn from PoE or from external power supply
External Power	Isolated 10 to 56VDC @ 2VA
Indicators	2x Copper Link/Activity on RJ45 2x Copper Speed on RJ45 1x Power On/Off
External Power Connector	2-way 3.5mm terminal block
Power Consumption	2W maximum
Dimensions of Module (mm)	60W x 94D x 26H
Weight of Module (kg)	0.4