

APPLICATIONS

- ▲ OSD860S video/data/audio/Ethernet Multiplexer

FEATURES AND BENEFITS

- ▲ Used with singlemode fiber over a variety of link budgets
- ▲ Available for operation over 1 or 2 fibers.
- ▲ Available in short, medium or long link distance models
- ▲ Optionally available to operate over multimode fiber
- ▲ Hot-pluggable for easier system maintenance operation
- ▲ Operate over the temperature range of -20 to +75°C

ORDERING INFORMATION

Contact OSD for a full listing of available options

OSDSFP860T/13-9/13.LC	2-fiber, 20km (singlemode fiber), 1310nm OSD860T SFP Plug-in transceiver module
OSDSFP860R/13-9/13.LC	2-fiber, 20km (singlemode fiber), 1310nm OSD860R SFP Plug-in transceiver module
OSDSFP860T/CWAB+2/15.LC	2-fiber, 60km (singlemode fiber), OSD860T CWDM SFP Plug-in transceiver module Tx @ any wavelength between 1270nm to 1610nm
OSDSFP860R/CWAB+2/15.LC	2-fiber, 60km (singlemode fiber), OSD860R CWDM SFP Plug-in transceiver module Tx @ any wavelength between 1270nm to 1610nm
OSDSFP860T/CWAB+2/15A.LC	2-fiber, 160km (singlemode fiber), OSD860T CWDM SFP Plug-in transceiver module +2dBm Tx @ any wavelength between 1270nm to 1610nm with APD receiver
OSDSFP860R/CWAB+2/15A.LC	2-fiber, 160km (singlemode fiber), OSD860R CWDM SFP Plug-in transceiver module +2dBm Tx @ any wavelength between 1270nm to 1610nm with APD receiver
OSDSFP860T/13-9/15W.SC	1-fiber, 20km (singlemode fiber), OSD860T SFP Plug-in transceiver module Tx @ 1310nm, Rx @ 1550nm
OSDSFP860R/15-9/13W.SC	1-fiber, 20km (singlemode fiber), OSD860R SFP Plug-in transceiver module Tx @ 1550nm, Rx @ 1310nm
OSDSFP860T/13-3/15W.SC	1-fiber, 40km (singlemode fiber), OSD860T SFP Plug-in transceiver module Tx @ 1310nm, Rx @ 1550nm
OSDSFP860R/15-9/13W.SC	1-fiber, 40km (singlemode fiber), OSD860R SFP Plug-in transceiver module Tx @ 1550nm, Rx @ 1310nm
OSDSFP860T/13-9.LC	1-fiber video only, 20km (singlemode fiber), 1310nm OSD860T SFP Plug-in transceiver
OSDSFP860R/13.LC	1-fiber video only, 20km (singlemode fiber), 1270nm to 1610nm Rx OSD860R SFP Plug-in transceiver module
OSDSFP860T/CWAB+2.LC	1-fiber video only, 160km (singlemode fiber), OSD860T CWDM SFP Plug-in transceiver module Tx @ any wavelength between 1270nm to 1610nm
OSDSFP860R/15A.LC	1-fiber video only, 160km (singlemode fiber), 1270nm to 1610nm APD Rx OSD860R SFP Plug-in transceiver module
OSDSFP860T/8-10/8.LC	2-fiber, supports up to 500m on OM2 and 860m on OM3 (multimode fiber), 850nm OSD860T SFP Plug-in transceiver module
OSDSFP860R/8-10/8.LC	2-fiber, supports up to 500m on OM2 and 860m on OM3 (multimode fiber), 850nm OSD860R SFP Plug-in transceiver module
OSDSFP860T/8-10.LC	1-fiber video only, supports up to 500m on OM2 and 860m on OM3 (multimode fiber), 850nm OSD860T SFP Plug-in transceiver module
OSDSFP860R/8.LC	1-fiber video only, supports up to 500m on OM2 and 860m on OM3 (multimode fiber), 810nm to 880nm Rx OSD860R SFP Plug-in transceiver module

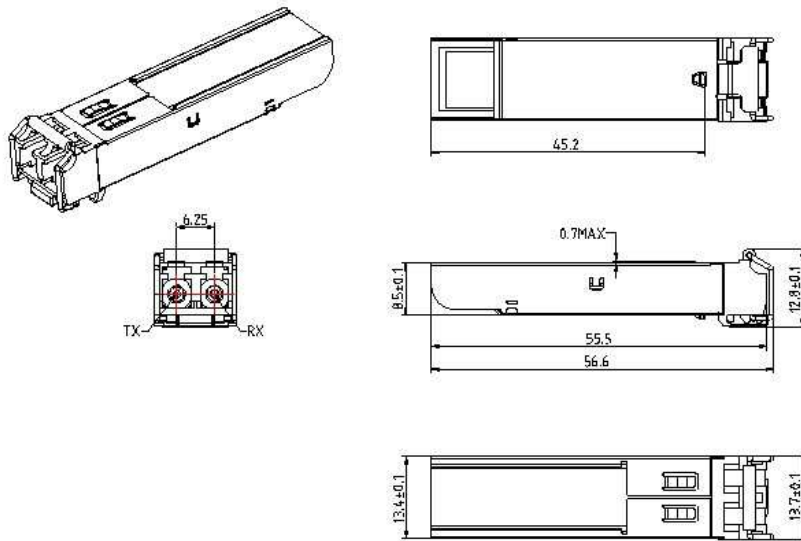


SPECIFICATIONS

OPTICAL

Transmitter wavelength	850nm, 1310nm or 1550nm (depends on specific models)
Transmitter coupled power	-9 to -3dBm (OSDSFP860T/13-9/13, OSDSFP860R/13-9/13) +2 to +5dBm (OSDSFP860T/CWAB+2/13) +2 to +5dBm OSDSFP860R/CWAB+2/13) +2 to +5dBm OSDSFP860R/CWAB+2/15A) +2 to +5dBm OSDSFP860T/CWAB+2/15A) +2 to +5dBm OSDSFP860T/CWAB+2) -9 to -3dBm (OSDSFP860T/13-9/15W, OSDSFP860R/15-9/13W) +0 to -3dBm (OSDSFP860T/13-3/15W) -10 to -8dBm (OSDSFP860R/15-9/13W) -9 to -3dBm (OSDSFP860T/13-9) -10 to -3dBm (OSDSFP860T/8-10/8, OSDSFP860R/8-10/8) -10 to -3dBm (OSDSFP860T/8-10)
Receiver sensitivity	< -24dBm (OSDSFP860T/13-9/13) < -22dBm (OSDSFP860R/13-9/13) < -24dBm (OSDSFP860T/CWAB+2/13) < -22dBm (OSDSFP860R/CWAB+2/13) < -34dBm (OSDSFP860T/CWAB+2/15A) < -34dBm (OSDSFP860R/CWAB+2/15A) < -24dBm (OSDSFP860T/13-9/15W) < -22dBm (OSDSFP860R/15-9/13W) < -24dBm (OSDSFP860T/13-3/15W) < -22dBm (OSDSFP860R/15-9/13W) < -22dBm (OSDSFP860R/13, @1310nm) < -34dBm (OSDSFP860R/15A) < -19dBm (OSDSFP860T/8-10/8) < -19dBm (OSDSFP860R/8-10/8) < -19dBm (OSDSFP860R/8, @850nm)
Link budget	> 13dB (OSDSFP860T/13-9/13, OSDSFP860R/13-9/13) > 17dB (OSDSFP860T/13-5/13, OSDSFP860R/13-5/13) > 24dB (OSDSFP860T/CWAB+2/13, OSDSFP860R/CWAB+2/13) > 13dB (OSDSFP860T/13-9/15W) > 13dB (OSDSFP860R/15-9/13W) > 19dB (OSDSFP860T/13-3/15W) > 12dB (OSDSFP860R/15-9/13W) > 13dB (OSDSFP860T/13-9, OSDSFP860R/13) > 9dB (OSDSFP860T/8-10/8, OSDSFP860R/8-10/8) > 9dB (OSDSFP860T/8-10, OSDSFP860R/8)
Optical connector	LC (2-fiber & video only series) SC (1-fiber series)
PHYSICAL	
Operating Temperature Range	-20°C to +75°C
Relative Humidity	0 to 95% non-condensing
Dimensions of Module (mm)	

OSD860SFP 2-fiber & 1-fiber LC Series



OSD860SFP 1-fiber SC Series

