

OSD MINIATURE DIN RAIL ADAPTOR



APPLICATIONS

- ▲ Use where DIN rail mounting is required

FEATURES AND BENEFITS

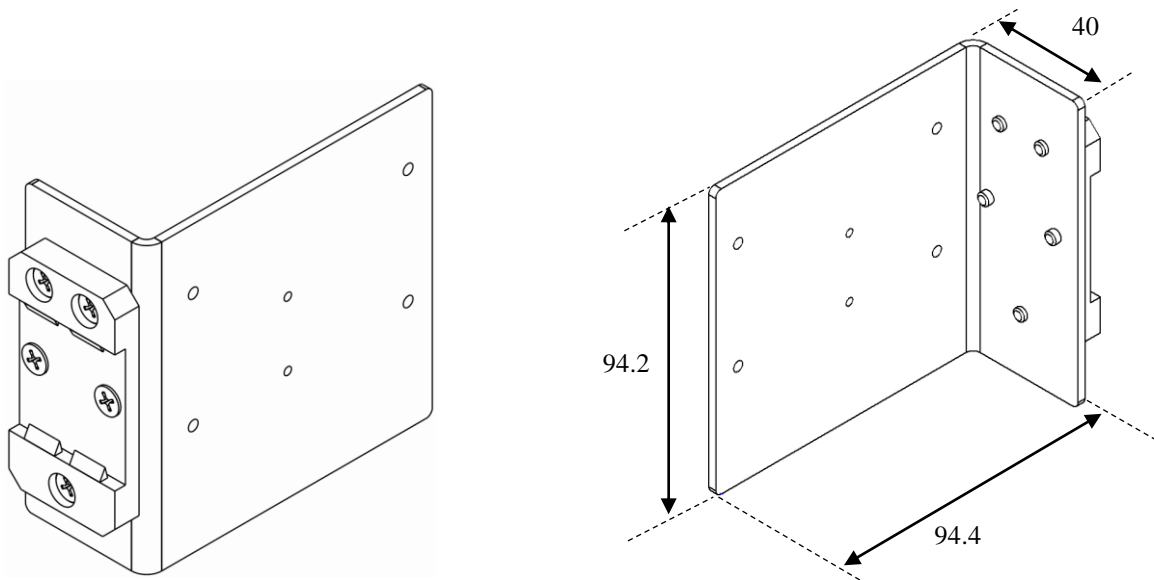
- ▲ One mounting plate to suit small/miniature OSD module sizes
- ▲ Securely attaches the OSD module to a DIN rail environment
- ▲ Standard DIN rail mounting clips

DESCRIPTION

The miniature DIN RAIL adaptor is a DIN rail mounting plate where OSD modules can be safely mounted using captivated screws. OSD produces a number of module products in various size cases and the miniature DIN rail adaptor is designed to accommodate these modules.

The miniature DIN RAIL adaptor uses the standard DIN rail latch located on the rear of the adaptor while the side plate provides a number of threaded holes to accommodate the various modules.

The operator manual provides detailed information and drawings for all OSD module sizes and, providing that the recommended mounting holes are used for the module used, the OSD case/module can be safely secured onto a standard DIN rail.



TECHNICAL SPECIFICATION

PHYSICAL

Form Factor	Designed to fit standard 35mm DIN rail mounting
Outer Dimensions	94.4W x 94.2D x 40H (mm)
Weight	0.1kg

ORDERING INFORMATION

OSDDRB02 OSD miniature DIN Rail Adaptor

